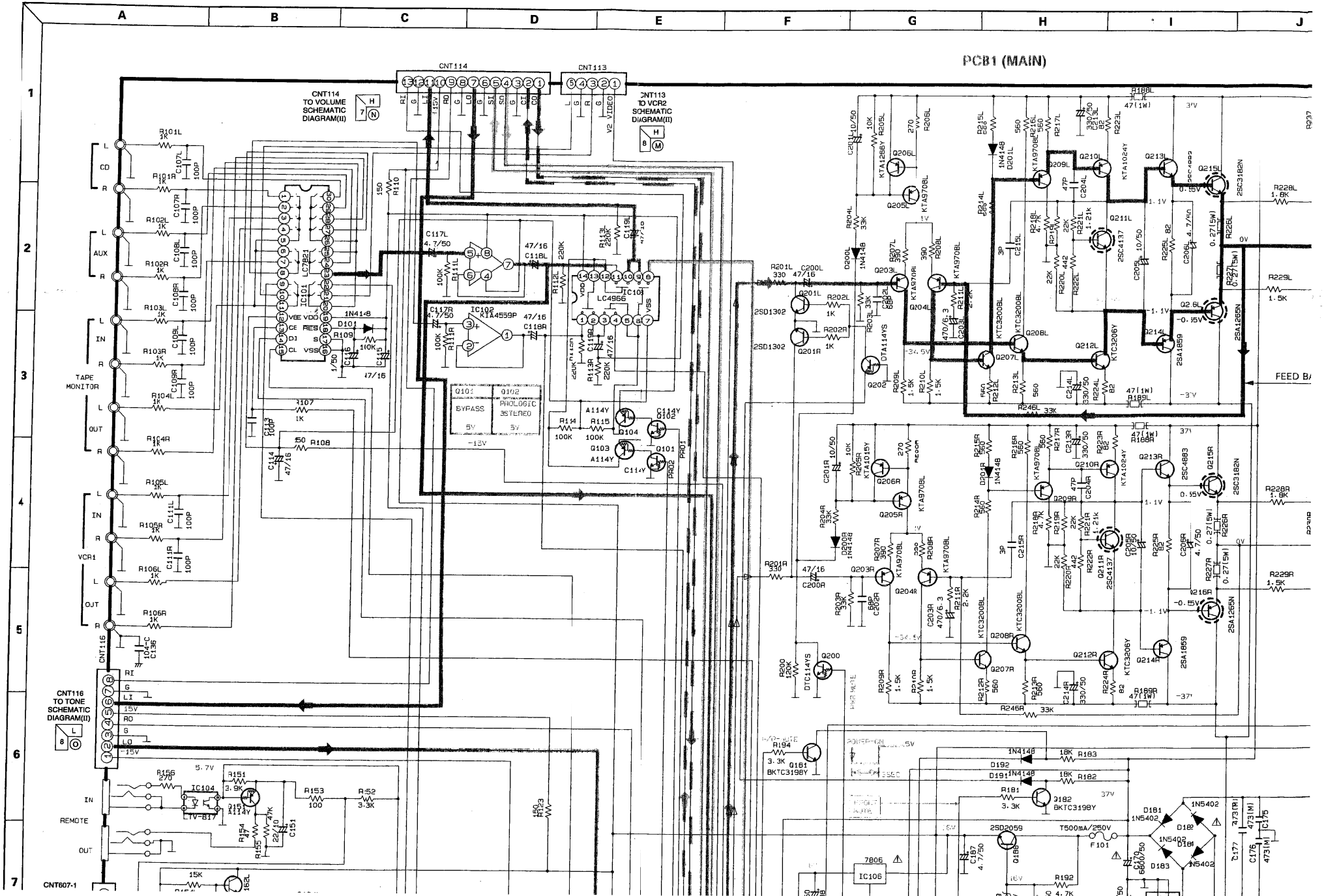
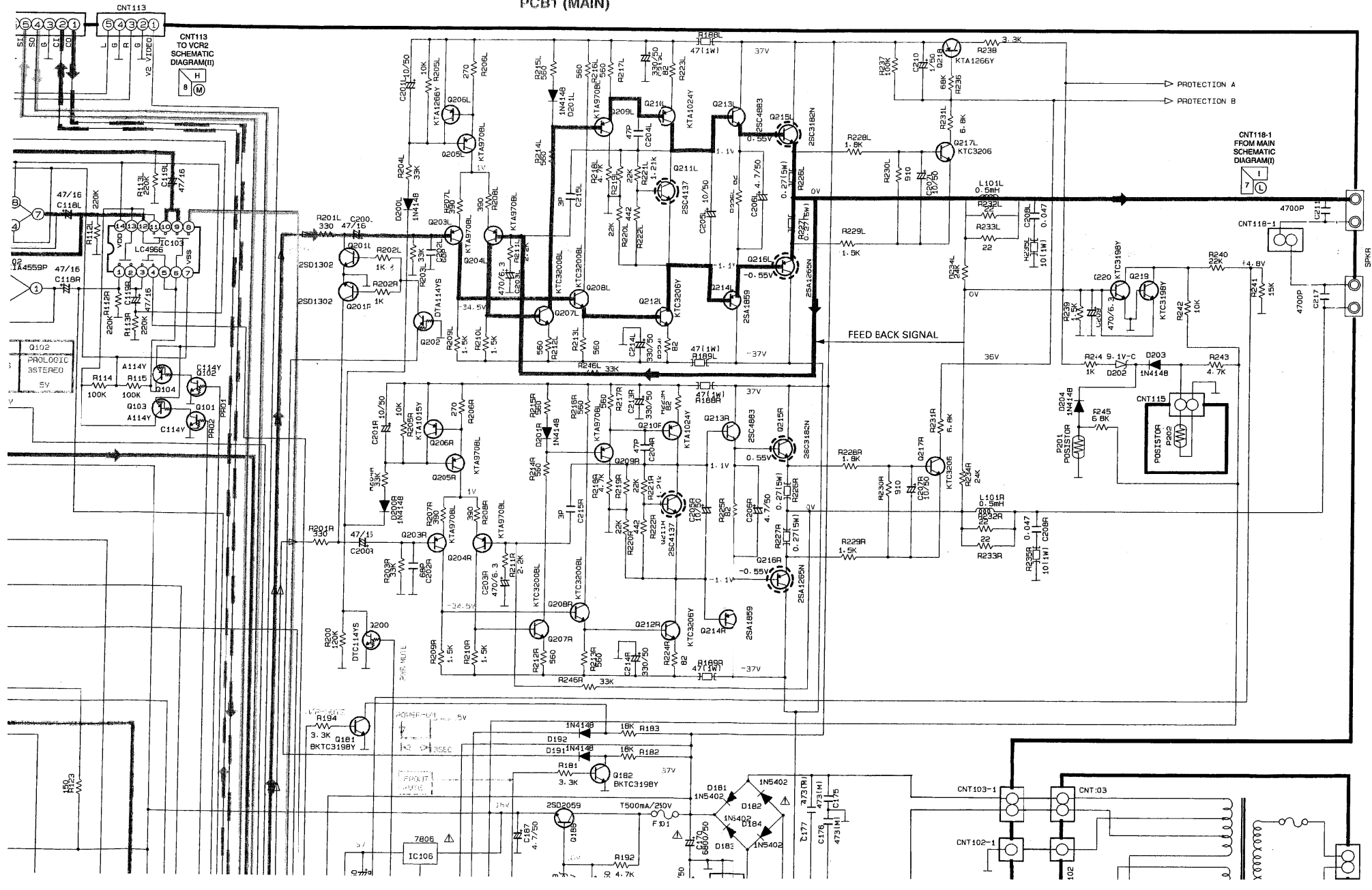


SCHEMATIC DIAGRAM I



D E F G H I J K L M

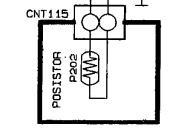
PCB1 (MAIN)



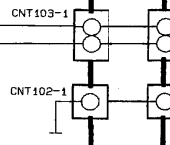
PROTECTION A
PROTECTION B

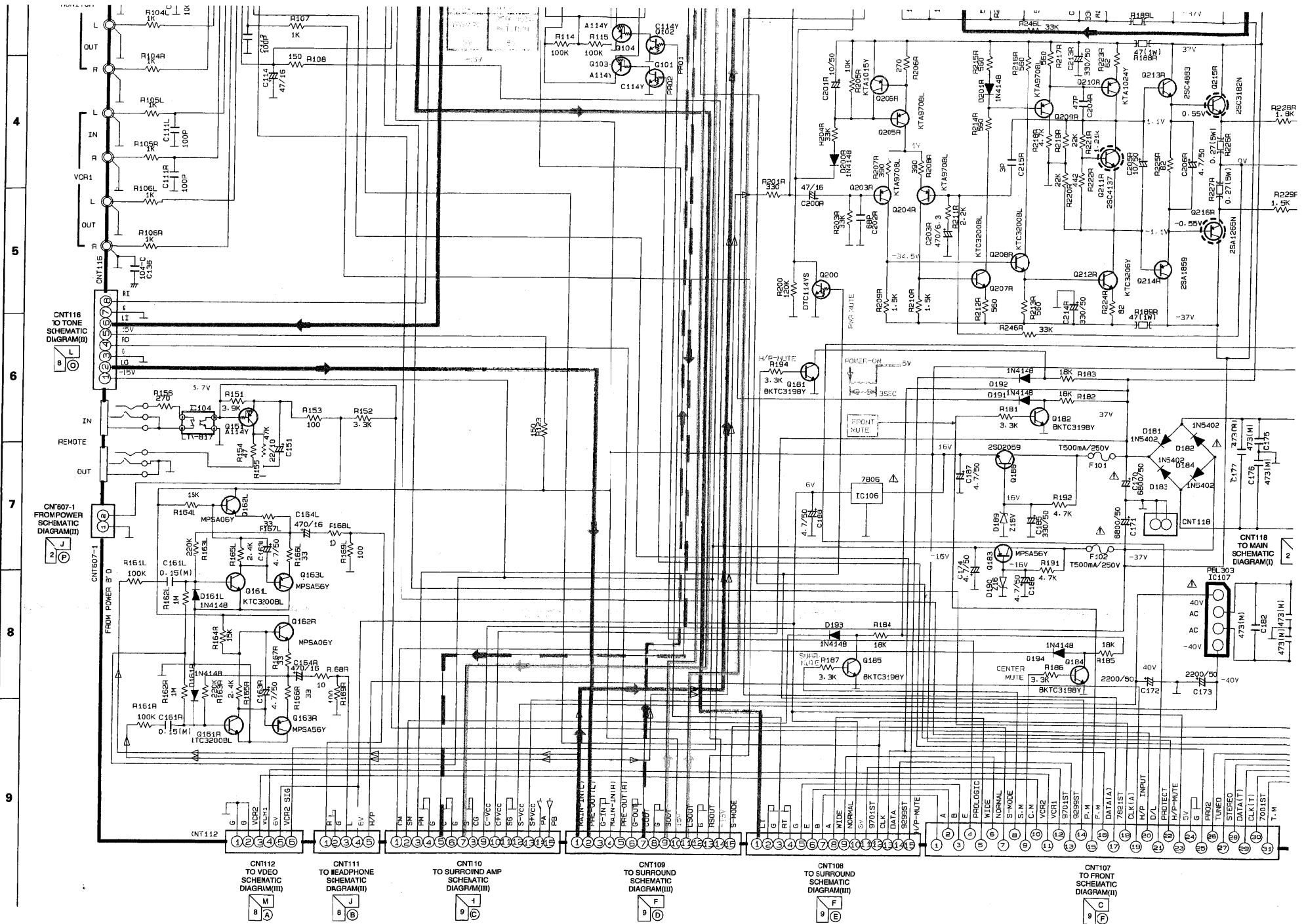
CNT118-1 FROM MAIN SCHEMATIC DIAGRAM(I)

FEED BACK SIGNAL



SPKR





4

5

6

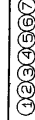
7

8

9

CNT116 TO TONE SCHEMATIC DIAGRAM(I)

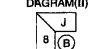
CNT607-1 FROM POWER SCHEMATIC DIAGRAM(II)



CNT112 TO VIDEO SCHEMATIC DIAGRAM(II)



CNT111 TO HEADPHONE SCHEMATIC DIAGRAM(II)



CNT110 TO SURROUND AMP SCHEMATIC DIAGRAM(III)



CNT109 TO SURROUND SCHEMATIC DIAGRAM(III)

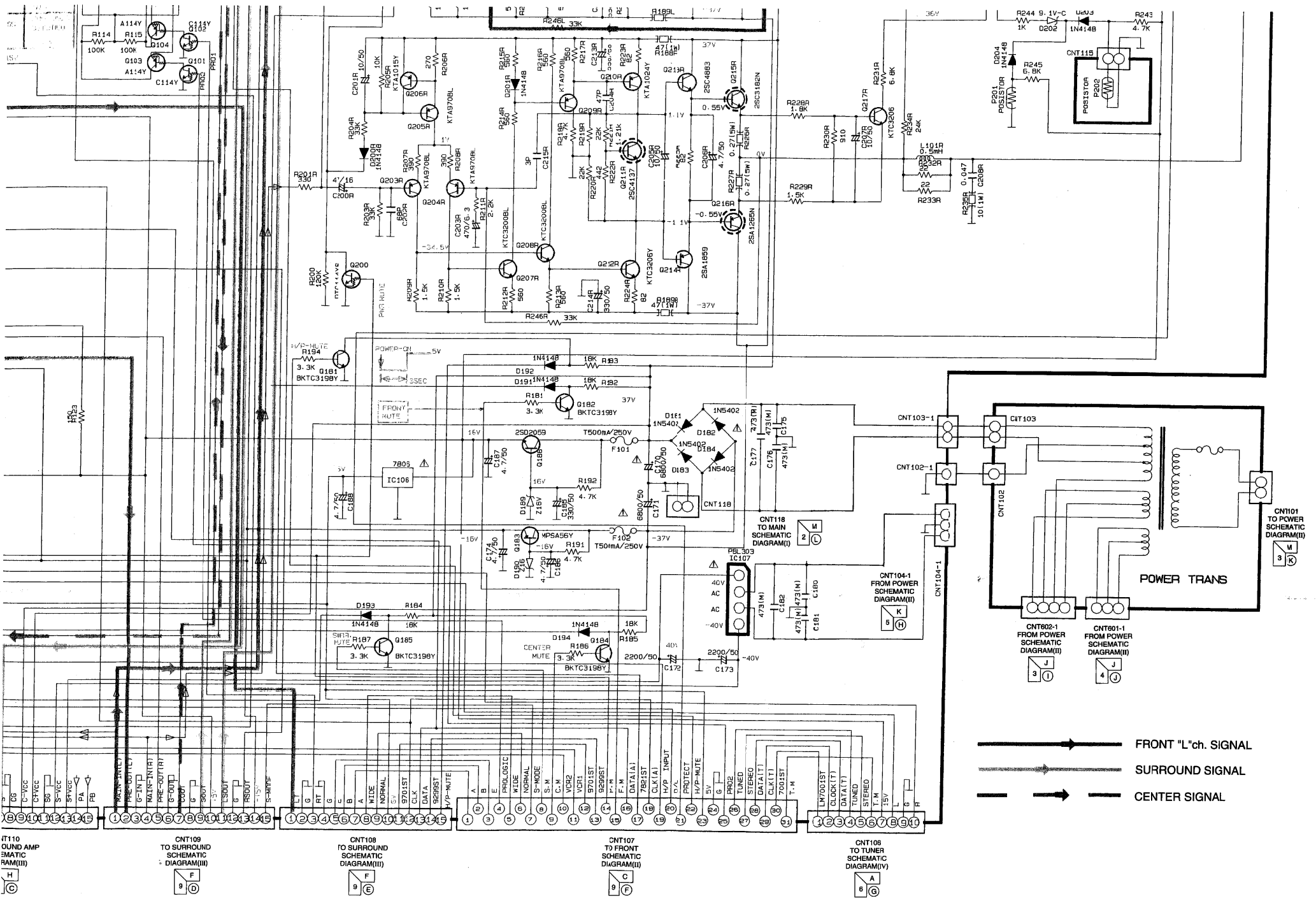


CNT108 TO SURROUND SCHEMATIC DIAGRAM(III)



CNT107 TO FRONT SCHEMATIC DIAGRAM(III)





IT110
 QUND AMP
 EMATIC
 RAM(III)
 H C

CNT109
 TO SURROUND
 SCHEMATIC
 DIAGRAM(III)
 F D

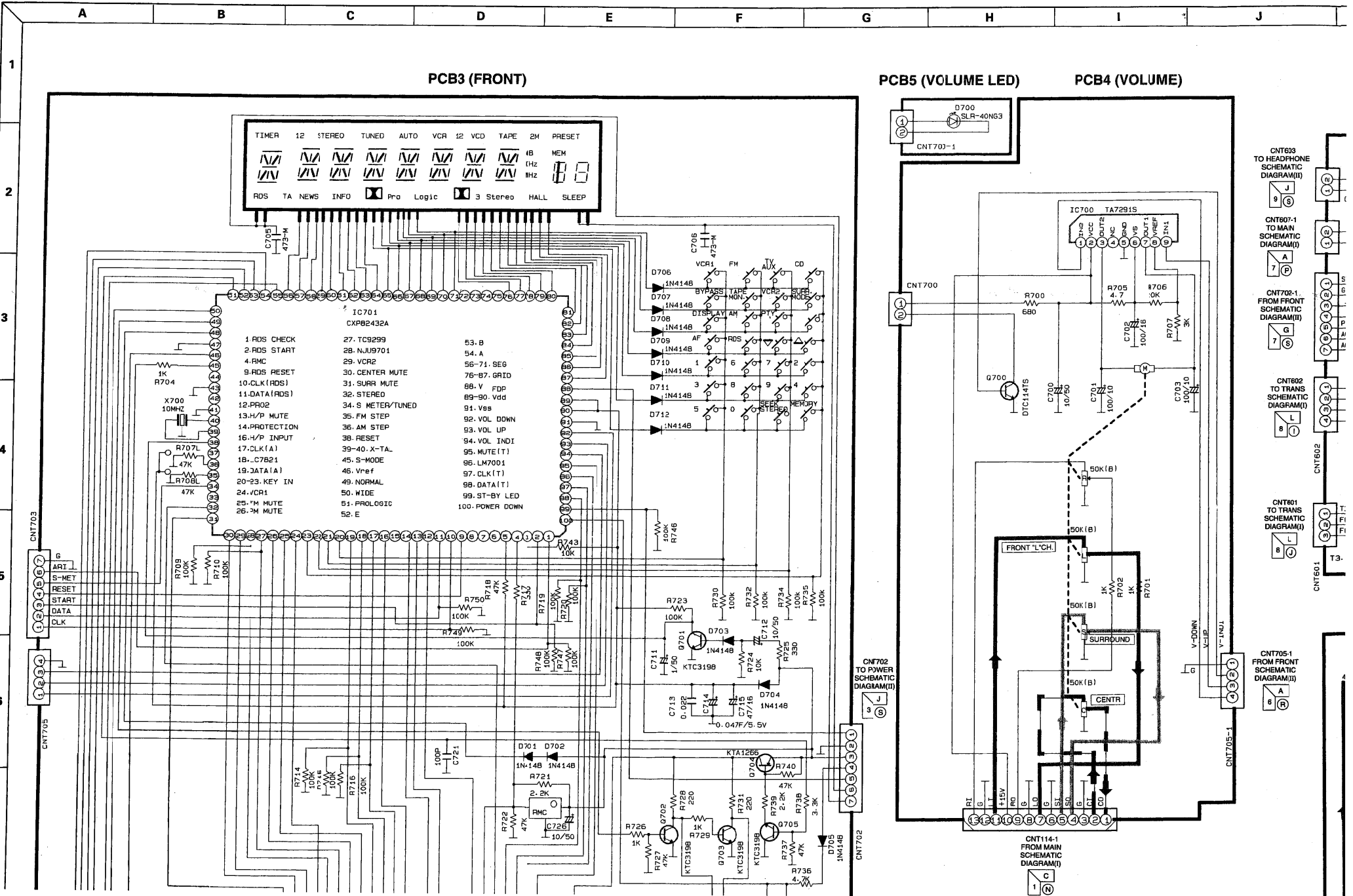
CNT108
 TO SURROUND
 SCHEMATIC
 DIAGRAM(III)
 F E

CNT107
 TO FRONT
 SCHEMATIC
 DIAGRAM(III)
 C P

CNT106
 TO TUNER
 SCHEMATIC
 DIAGRAM(IV)
 A G

FRONT "L"ch. SIGNAL
 SURROUND SIGNAL
 CENTER SIGNAL

SCHEMATIC DIAGRAM II



PCB3 (FRONT)

PCB5 (VOLUME LED)

PCB4 (VOLUME)

CNT633 TO HEADPHONE SCHEMATIC DIAGRAM(I)

CNT607-1 TO MAIN SCHEMATIC DIAGRAM(I)

CNT702-1 FROM FRONT SCHEMATIC DIAGRAM(I)

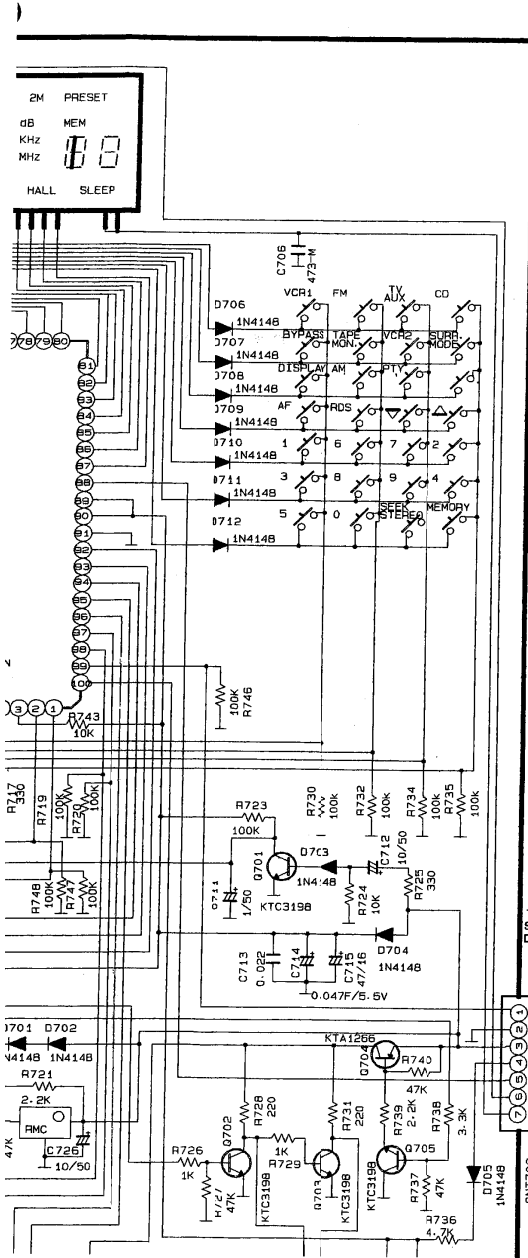
CNT602 TO TRANS SCHEMATIC DIAGRAM(I)

CNT601 TO TRANS SCHEMATIC DIAGRAM(I)

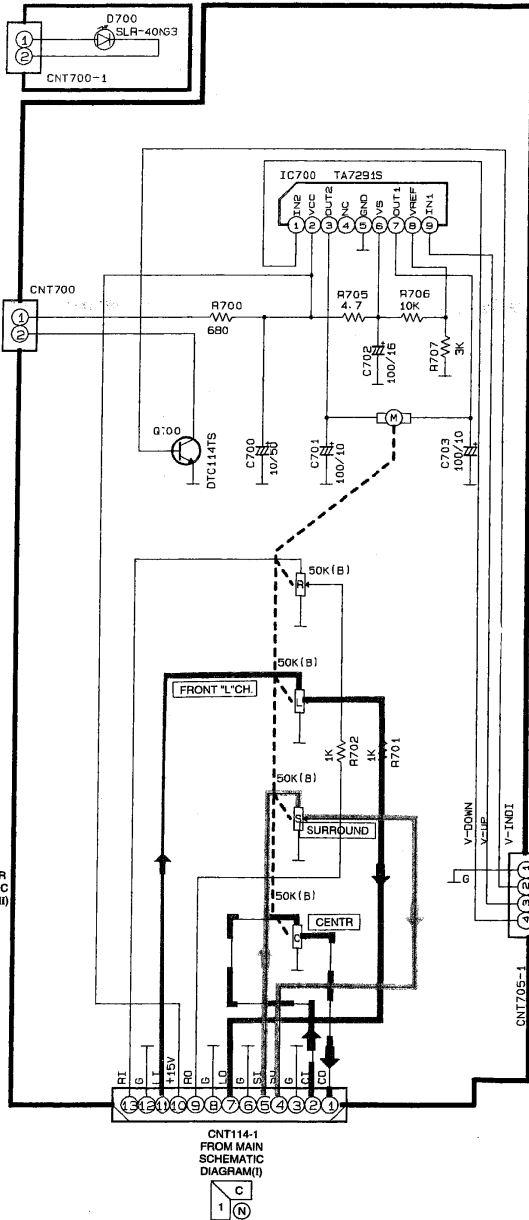
CNT702 TO POWER SCHEMATIC DIAGRAM(I)

CNT144-1 FROM MAIN SCHEMATIC DIAGRAM(I)

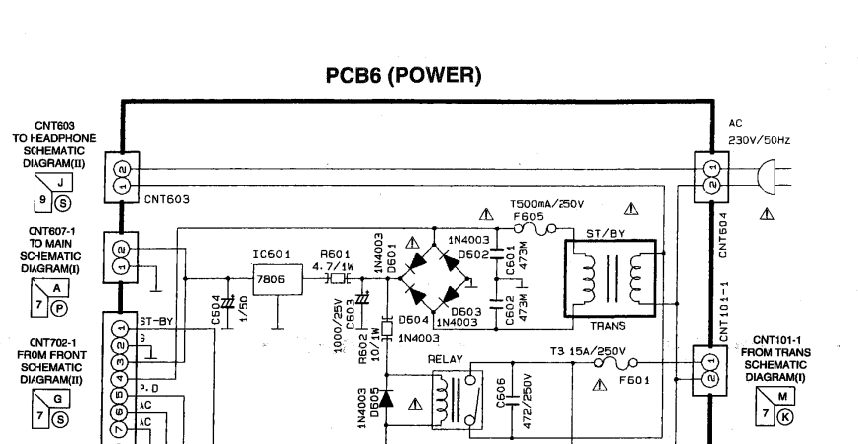
E F G H I J K L M



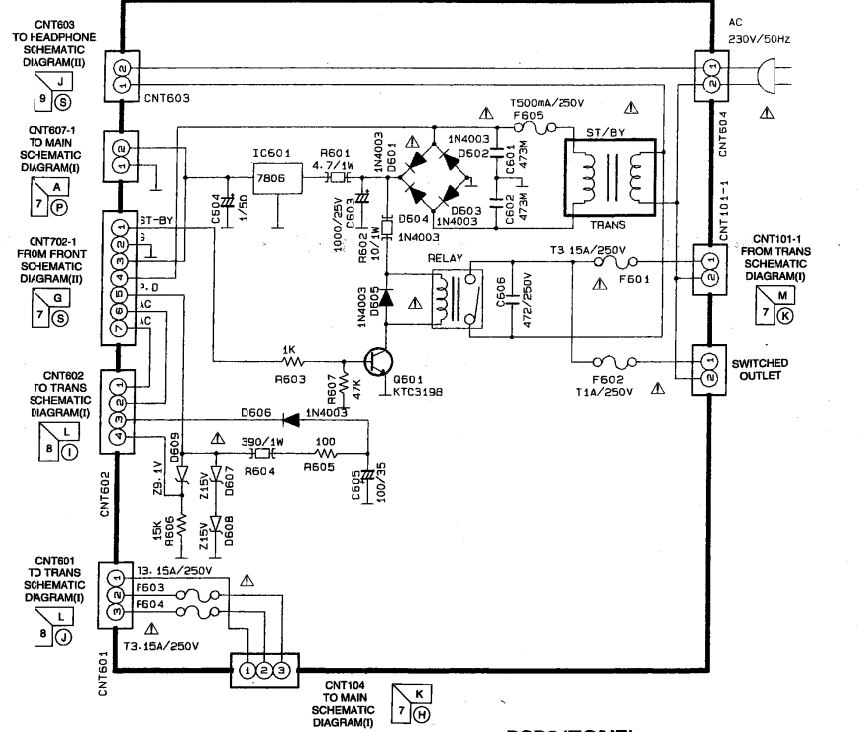
PCB5 (VOLUME LED)



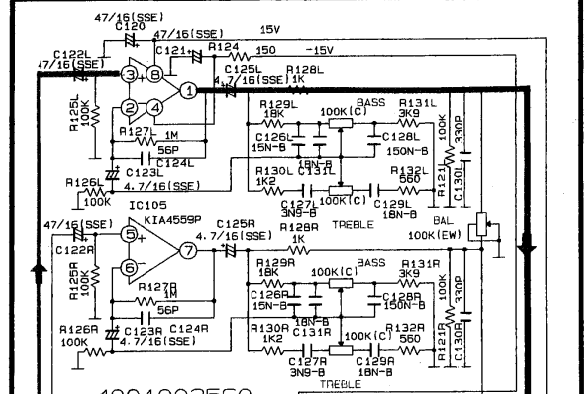
PCB4 (VOLUME)

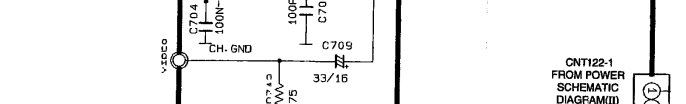
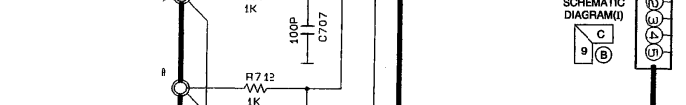
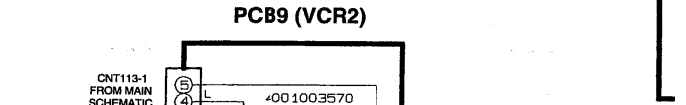
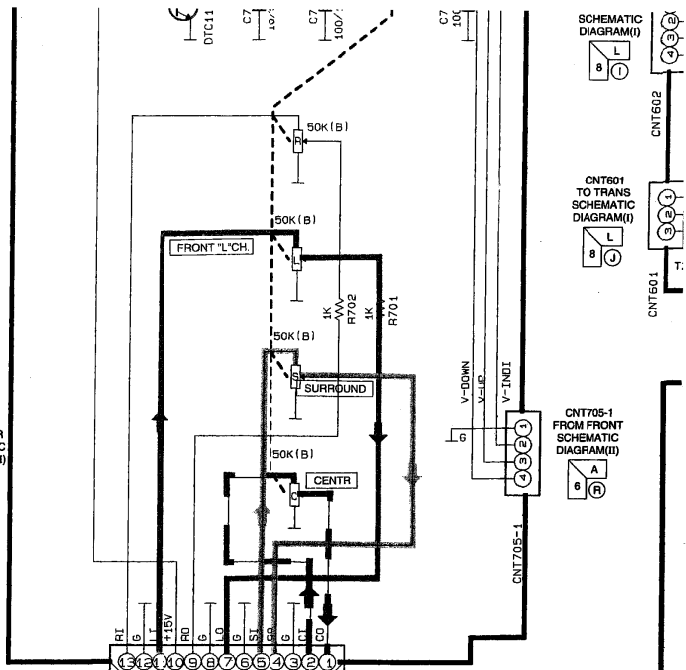
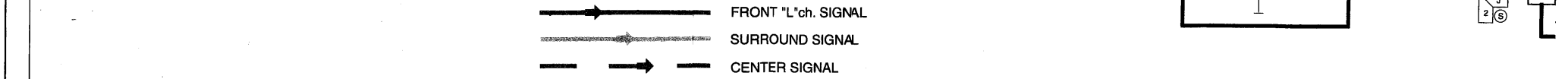
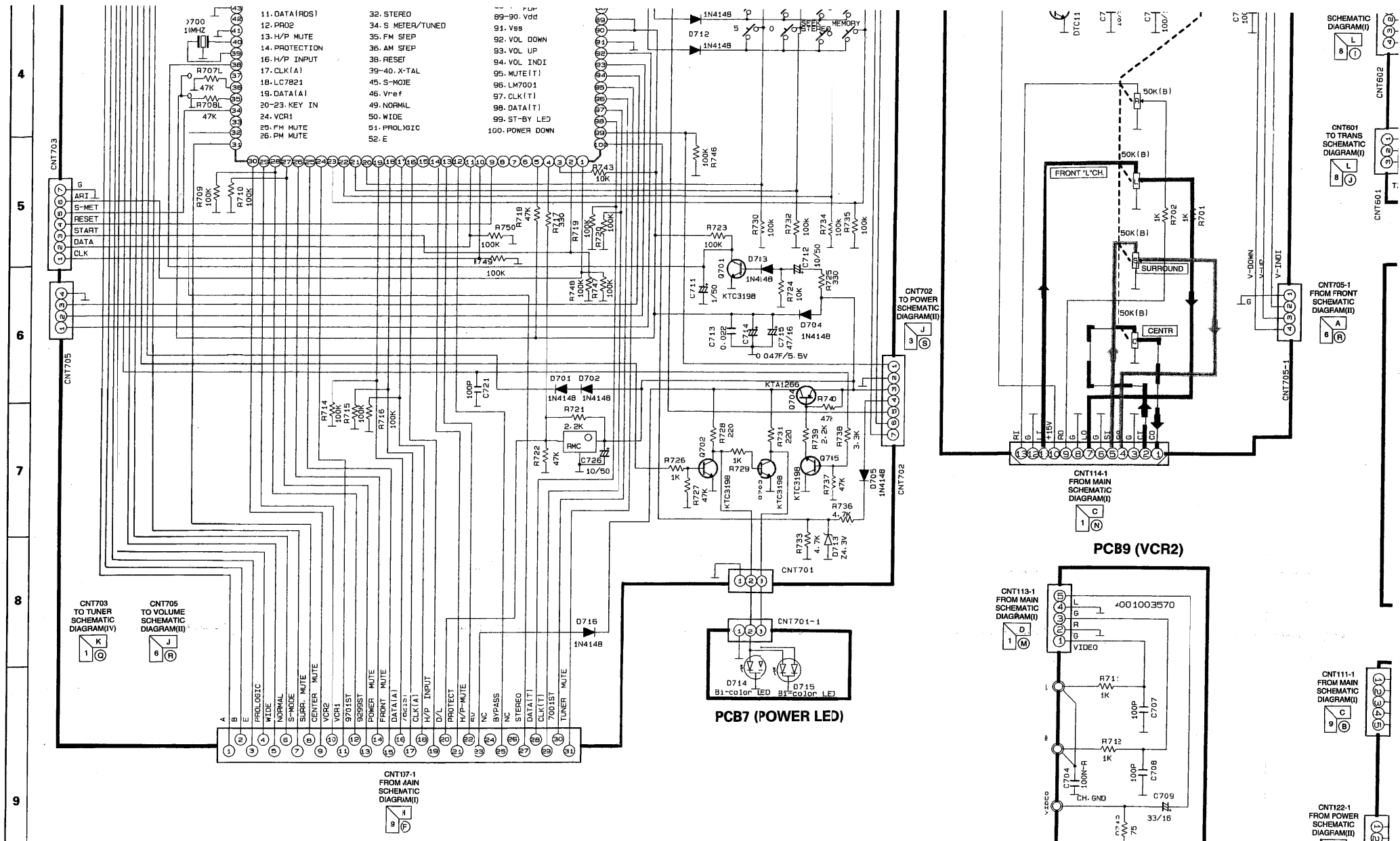


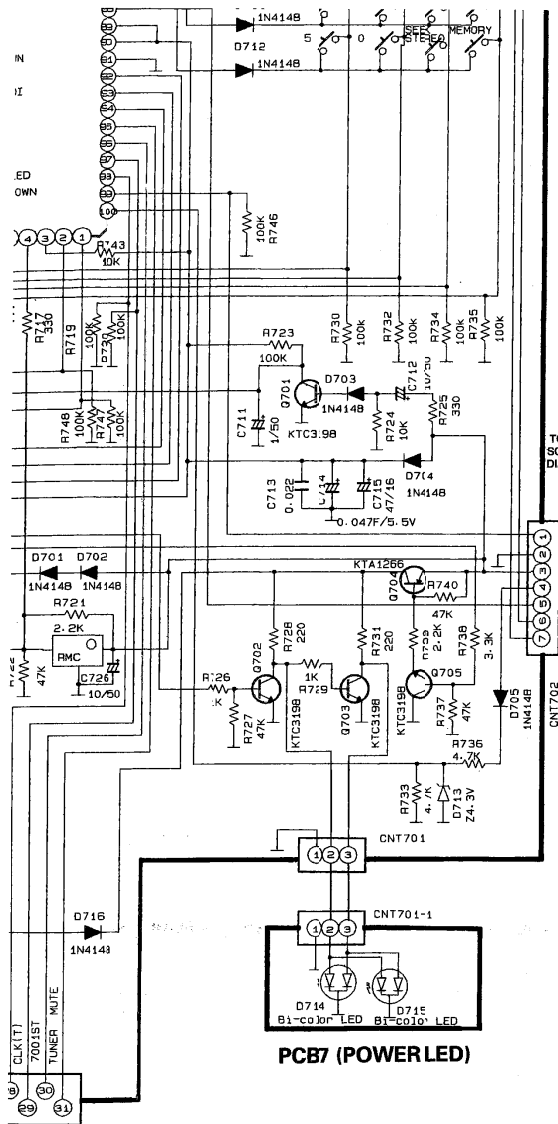
PCB6 (POWER)



PCB2 (TONE)

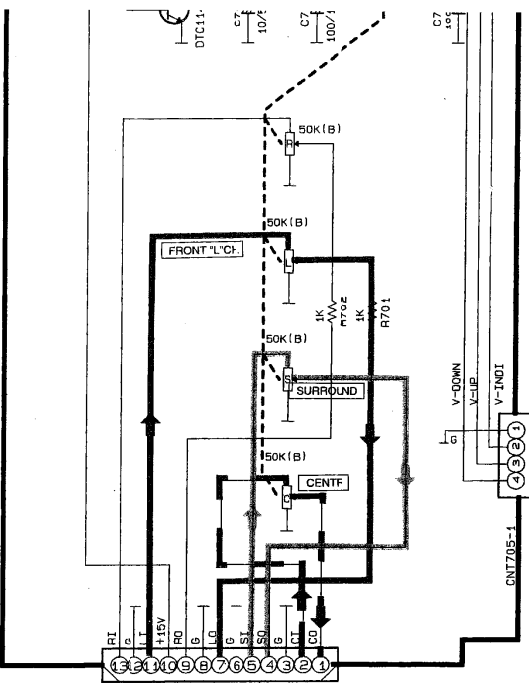






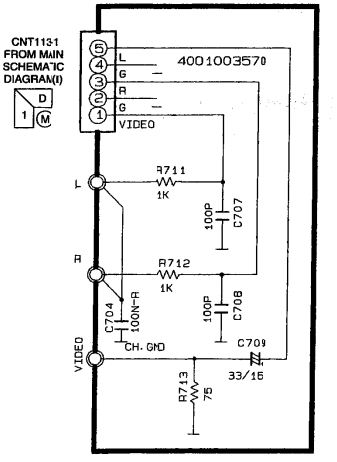
FRONT "L"ch. SIGNAL
 SURROUND SIGNAL
 CENTER SIGNAL

CNT702 TO POWER SCHEMATIC DIAGRAM(II)



PCB9 (VCR2)

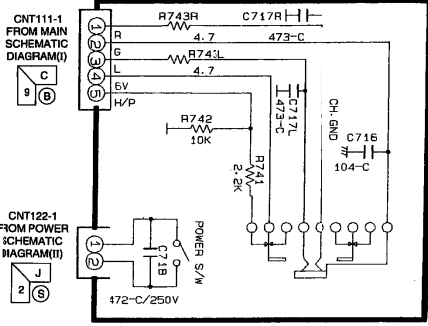
CNT111-1 FROM MAIN SCHEMATIC DIAGRAM(I)



PCB8 (HEADPHONE)

CNT111-1 FROM MAIN SCHEMATIC DIAGRAM(I)

CNT122-1 FROM POWER SCHEMATIC DIAGRAM(II)

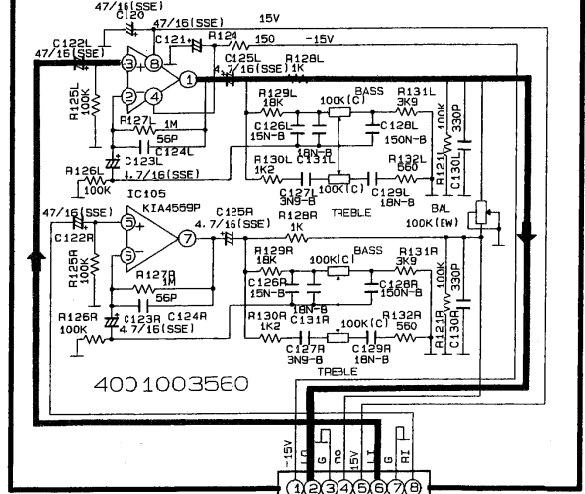


PCB7 (POWERLED)

CNT705-1 FROM FRONT SCHEMATIC DIAGRAM(II)

CNT705-1 FROM MAIN SCHEMATIC DIAGRAM(I)

CNT115-1 FROM MAIN SCHEMATIC DIAGRAM(I)



PCB2 (TONE)

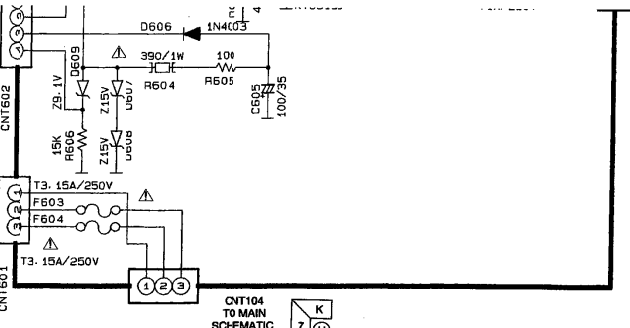
SCHMATIC DIAGRAM(I)

CNT601 TO TRANS SCHEMATIC DIAGRAM(I)

CNT601

CNT115-1 FROM MAIN SCHEMATIC DIAGRAM(I)

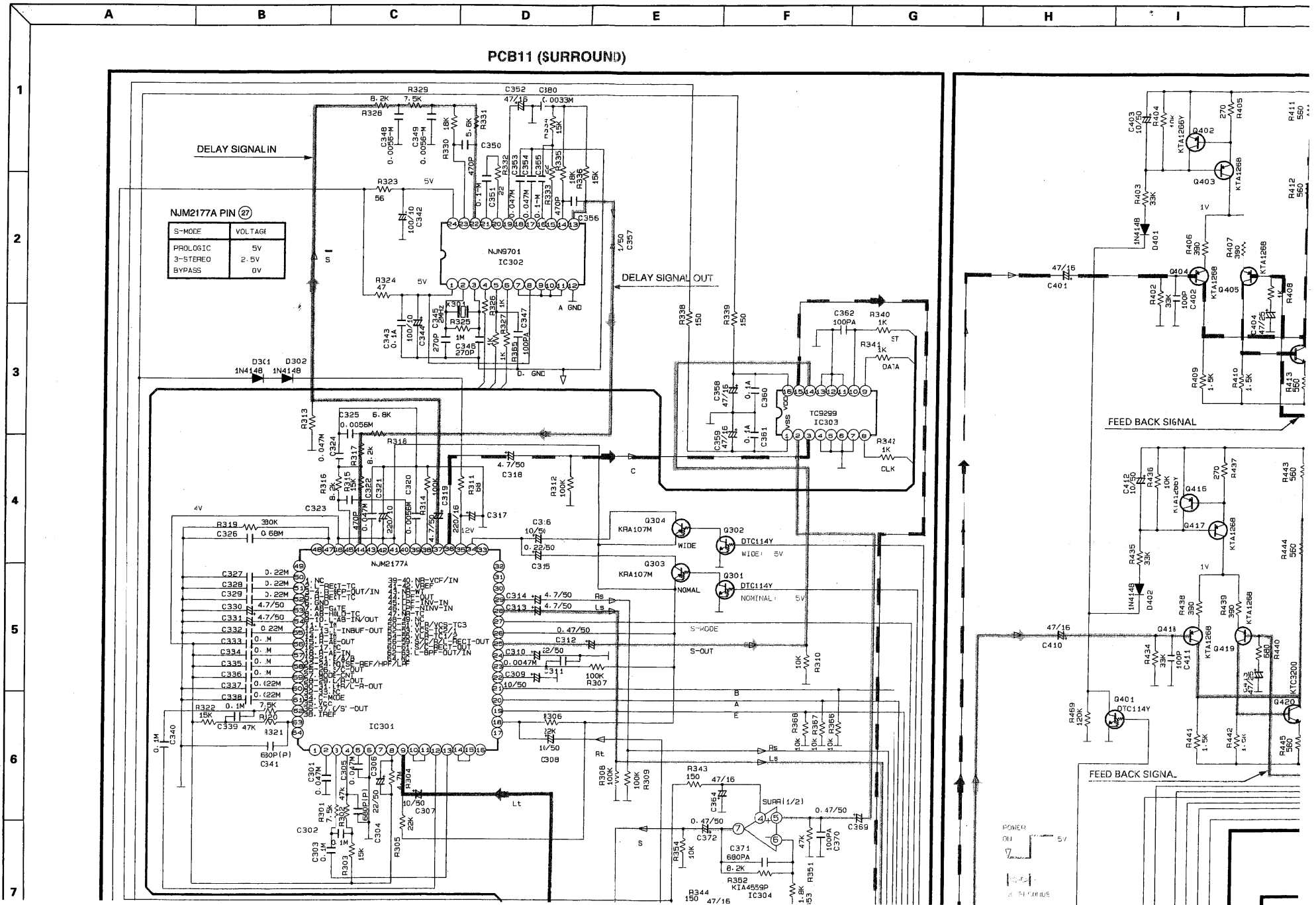
CNT122-1 FROM POWER SCHEMATIC DIAGRAM(II)



CNT104 TO MAIN SCHEMATIC DIAGRAM(I)

NOTES
 1. Resistor values are indicated in ohms unless otherwise specified (K=1,000 M=1,000,000)
 2. Capacitor values are indicated in microfarads unless otherwise specified. (p=micro-microfarads)
CAUTION
 Safety precaution to be followed during servicing
 1) Since those parts marked with a triangle are critical parts for safety, use only the one described in the parts list
 2) Before returning the set to the customer make appropriate leakage current or resistance measurements to determine the exposed parts are properly insulated from the supply circuit.

SCHEMATIC DIAGRAM III



D

E

F

G

H

I

J

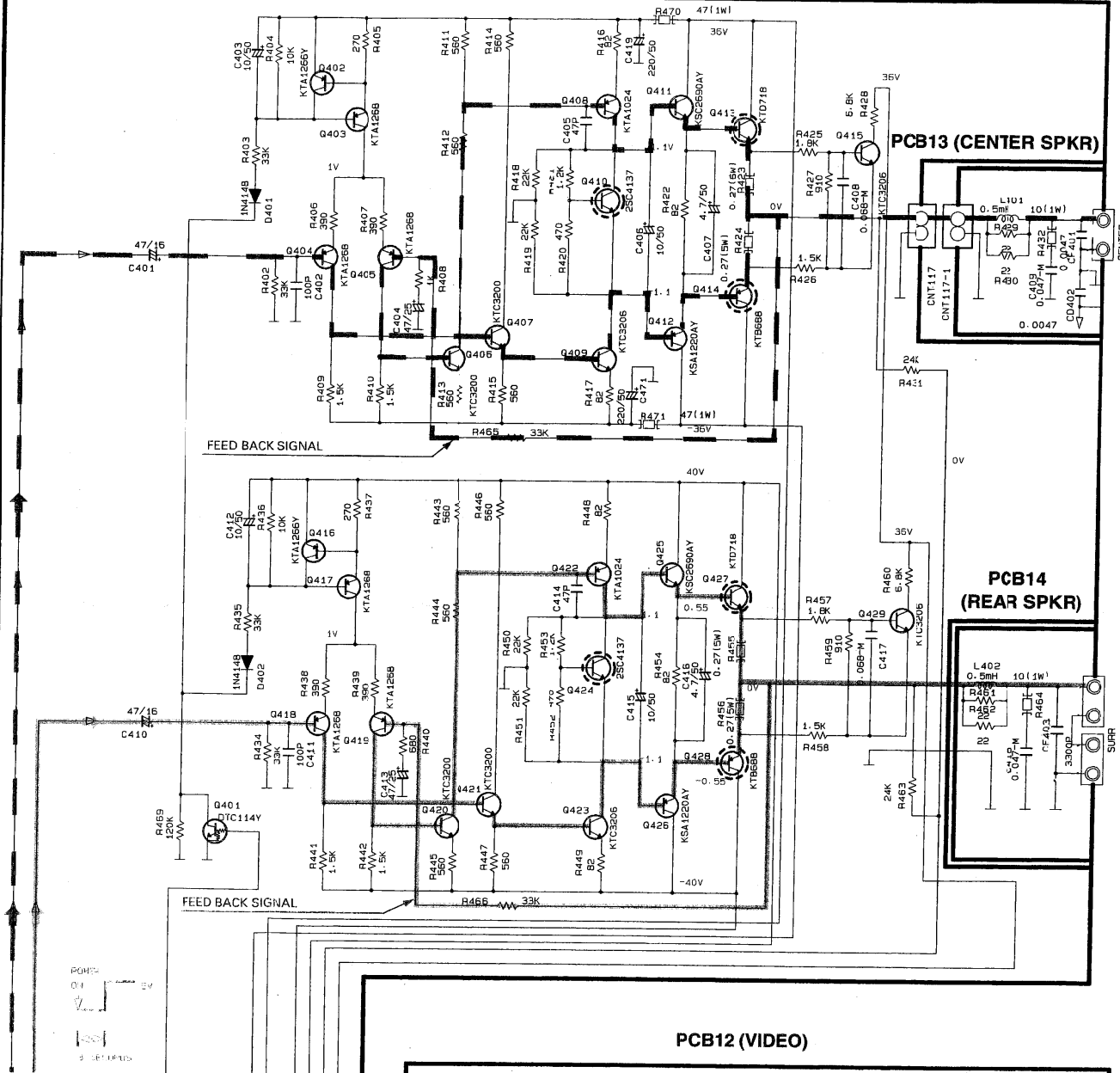
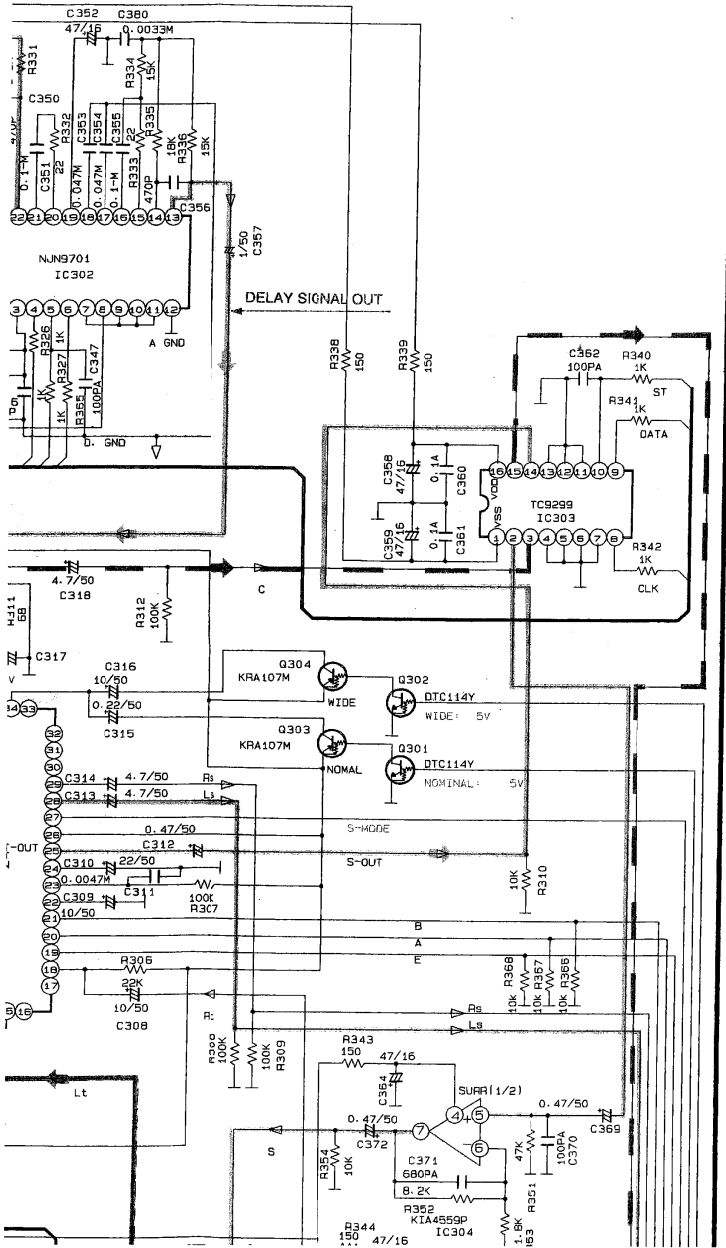
K

L

M

PCB11 (SURROUND)

PCB10 (SURROUND AMP)



PCB12 (VIDEO)

4

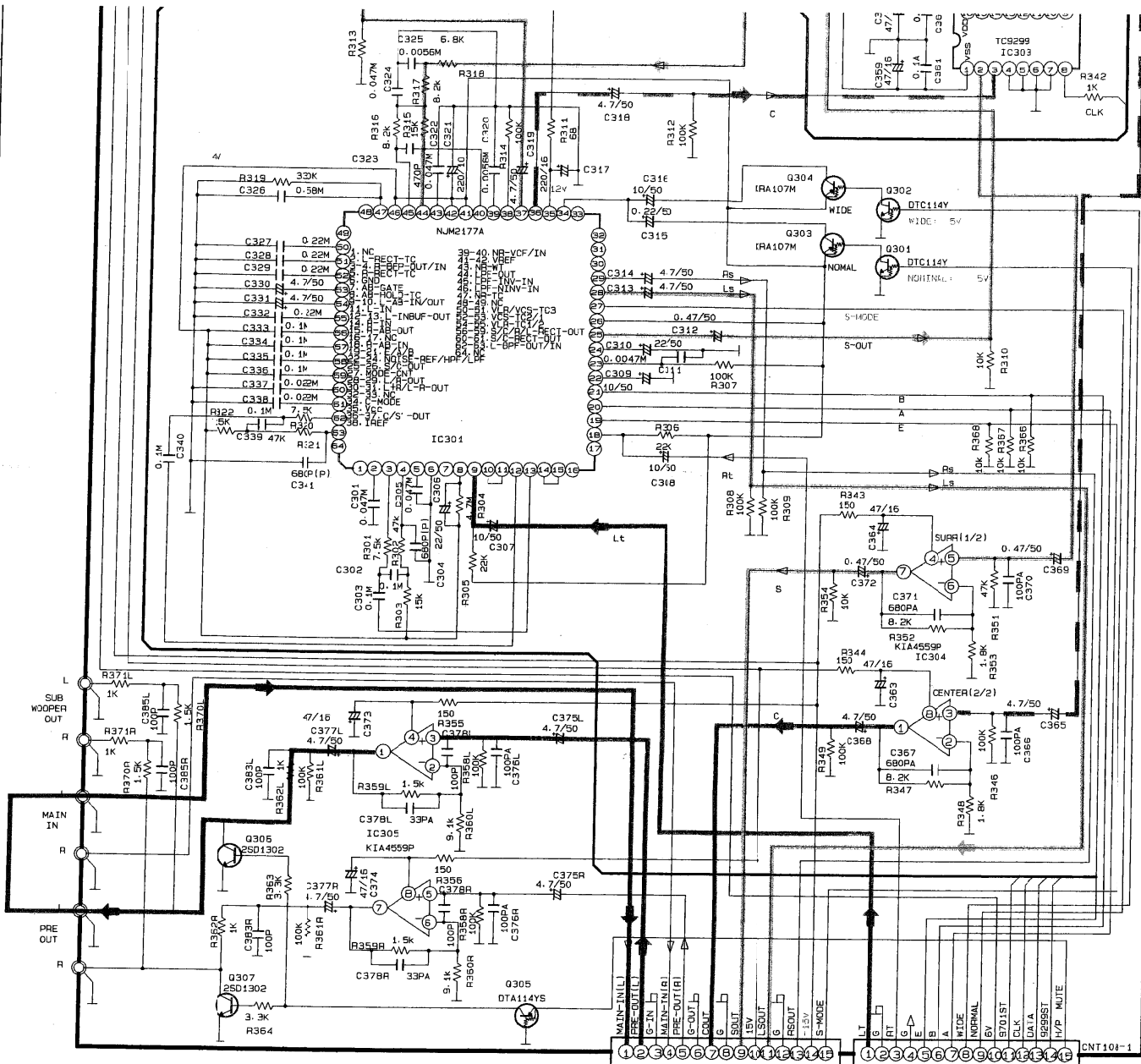
5

6

7

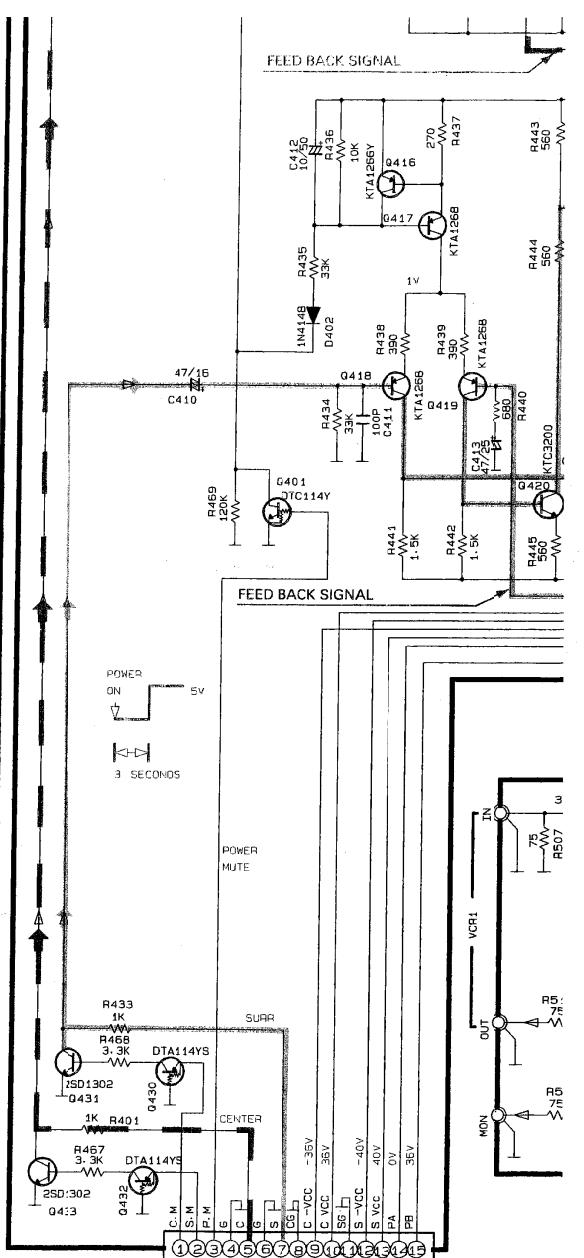
8

9

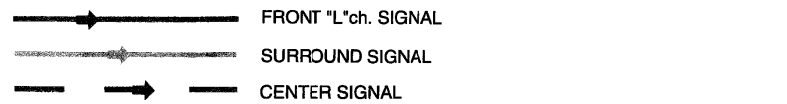
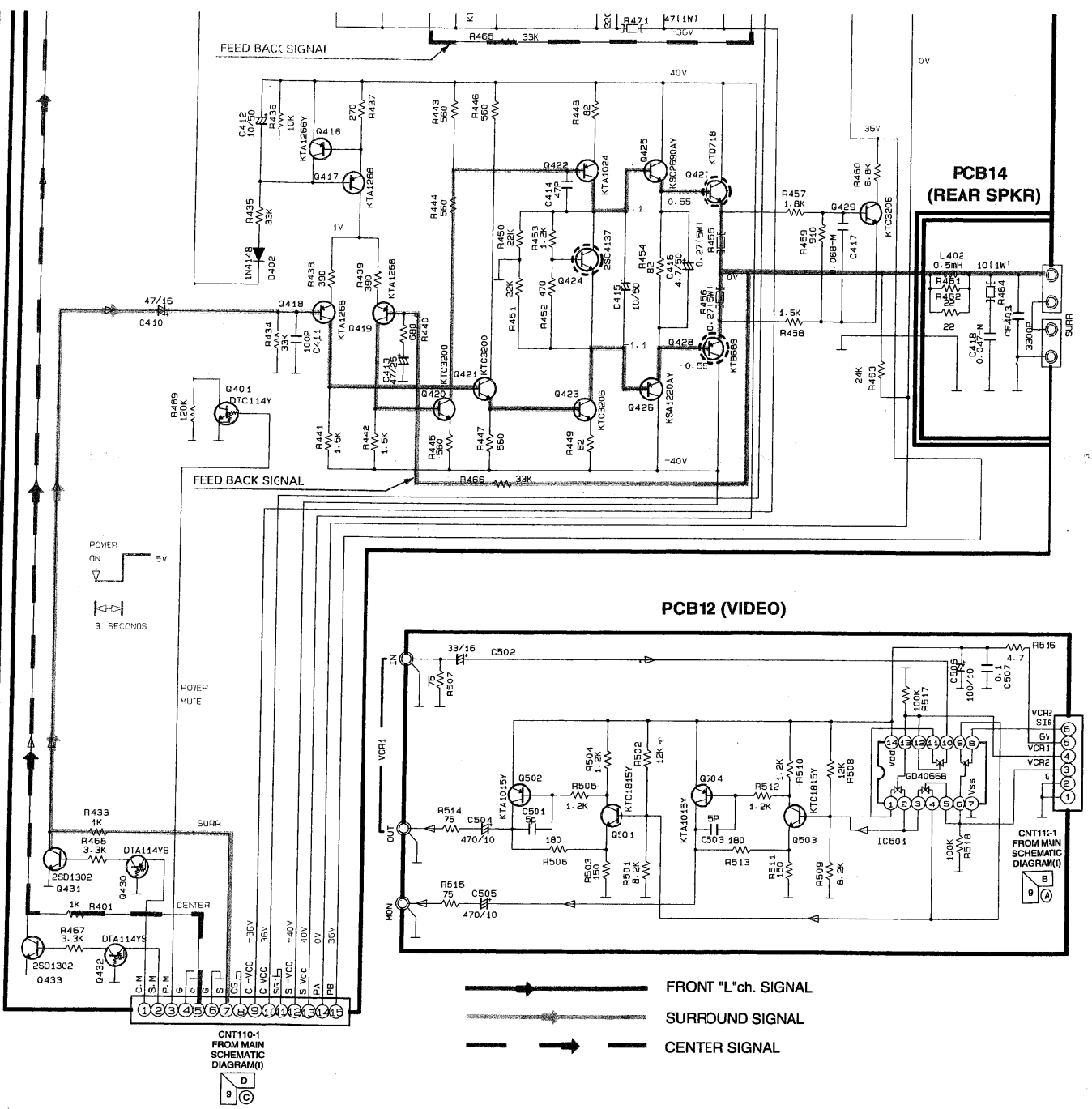
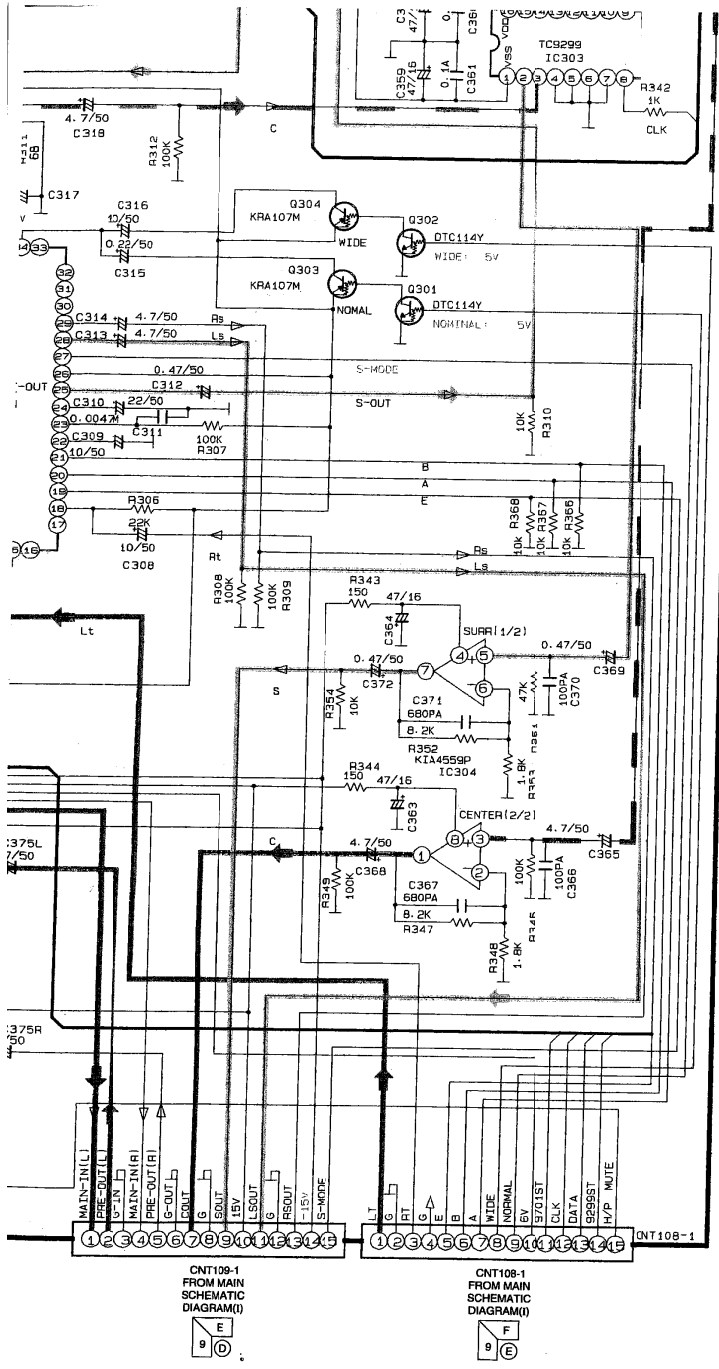


CNT108-1 FROM MAIN SCHEMATIC DIAGRAM(I)
 8 (D)

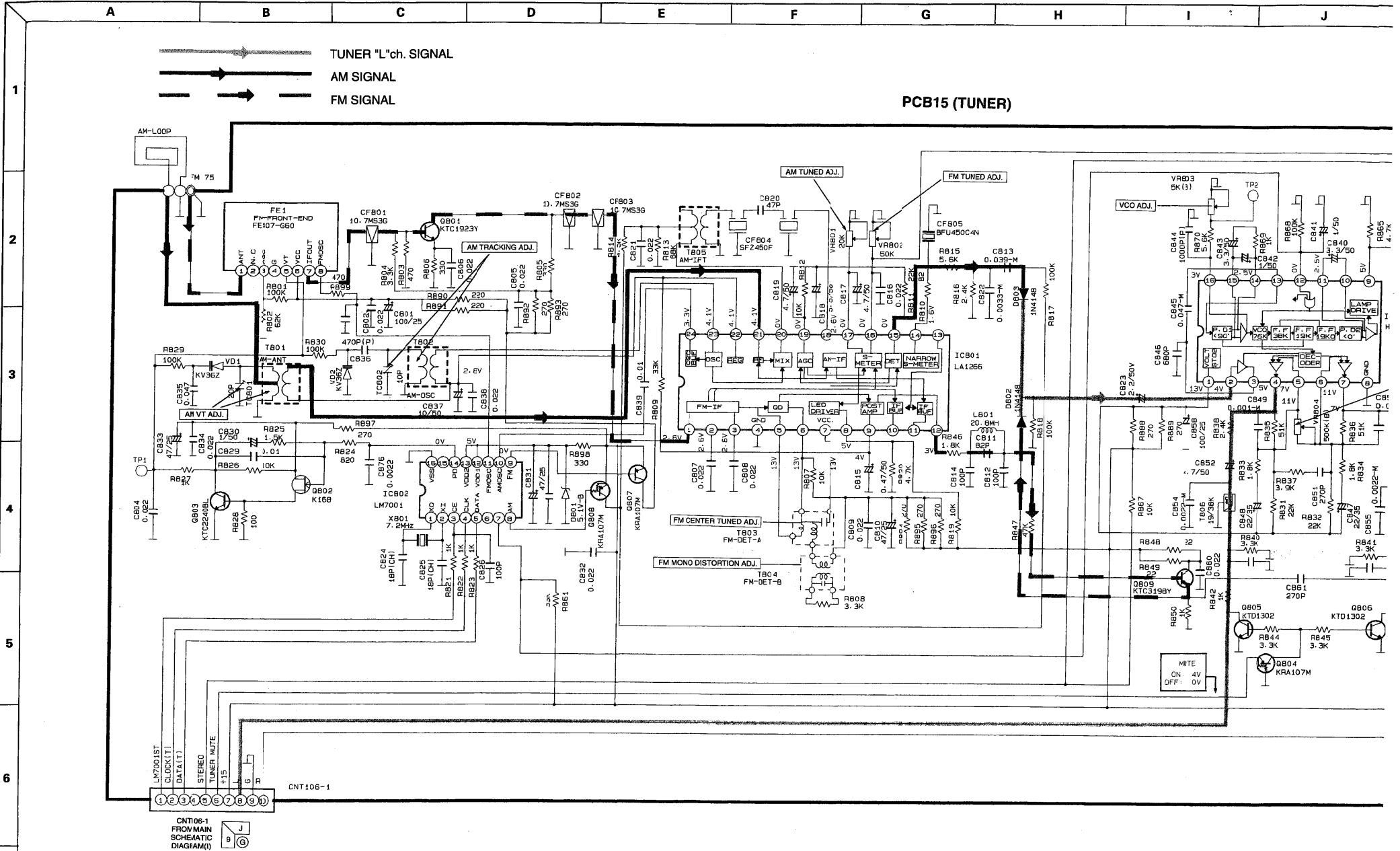
CNT108-1 FROM MAIN SCHEMATIC DIAGRAM(I)
 9 (E)



CNT110-1 FROM MAIN SCHEMATIC DIAGRAM(I)
 9 (C)



SCHEMATIC DIAGRAM IV



E

F

G

H

I

J

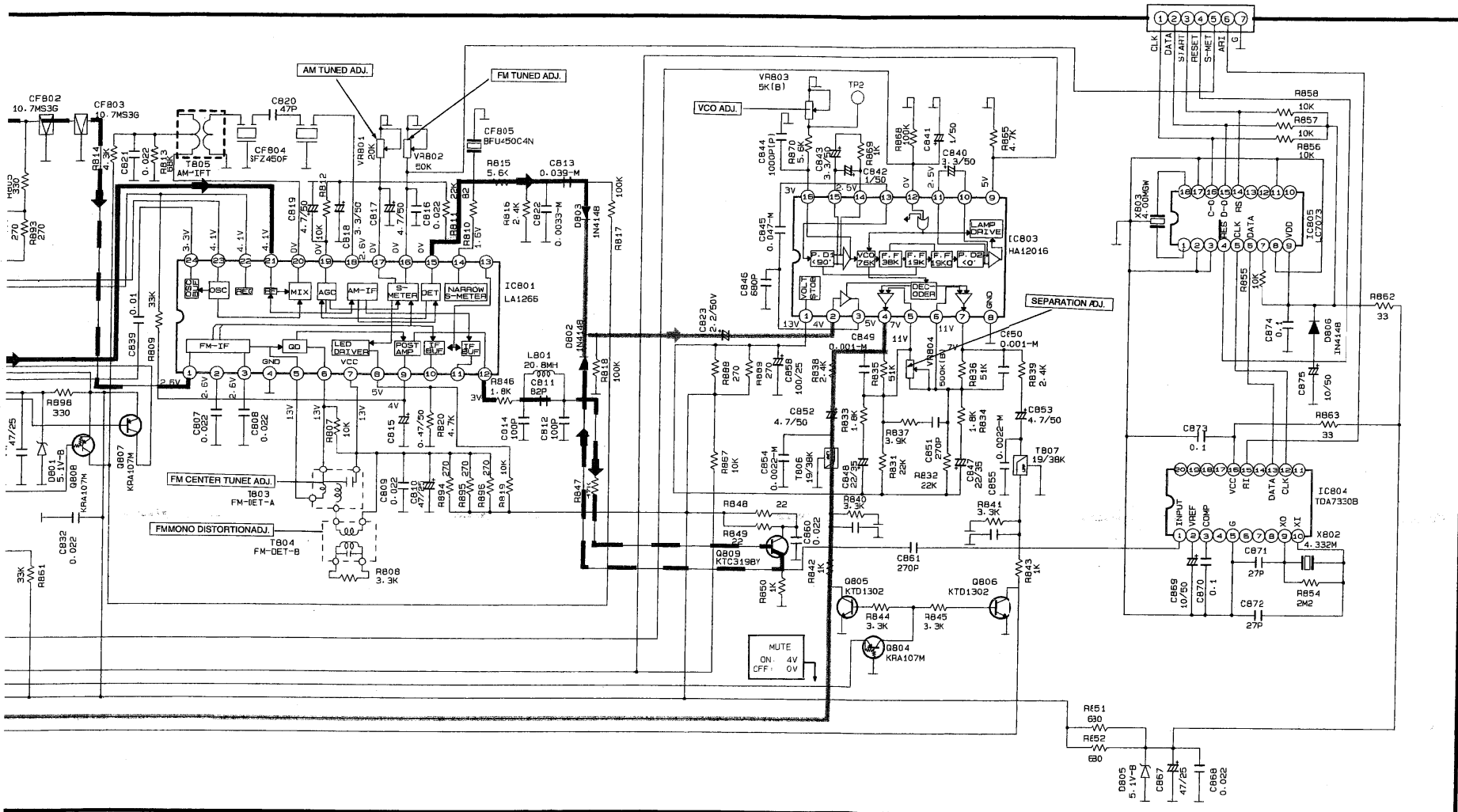
K

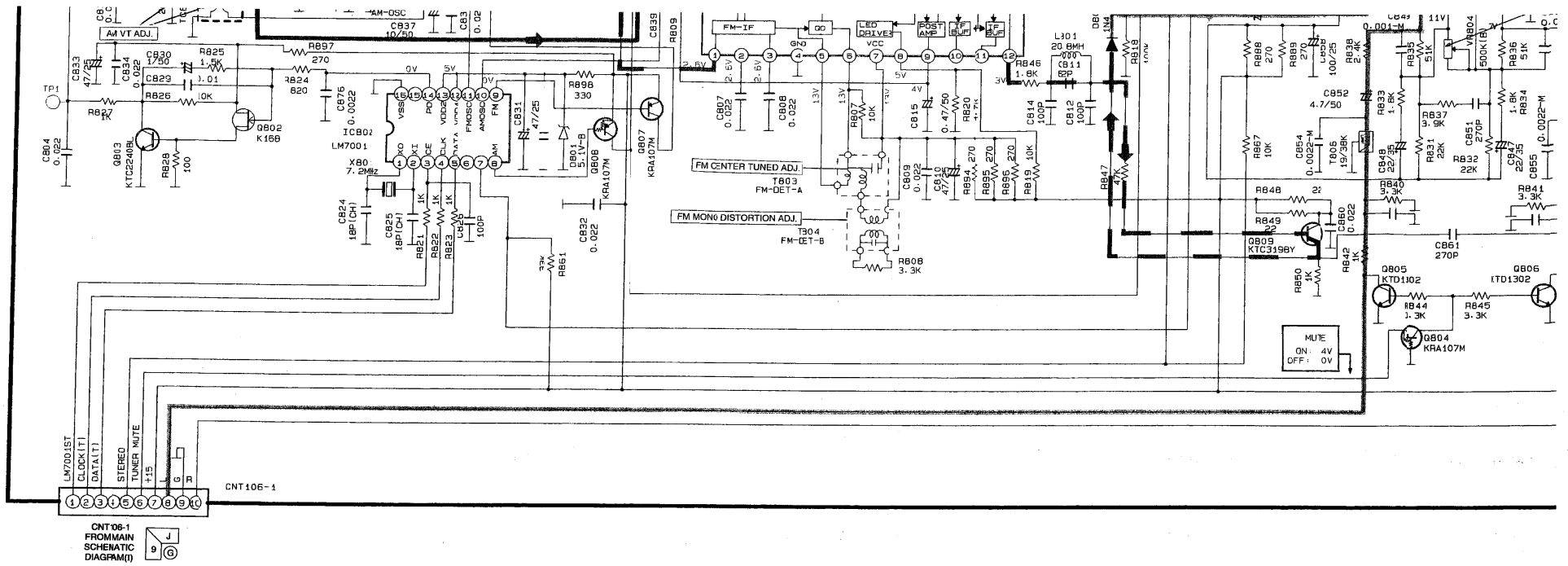
L

M

PCB15 (TUNER)

CNT703-1
FROM FRONT
SCHEMATIC
DIAGRAM(II)



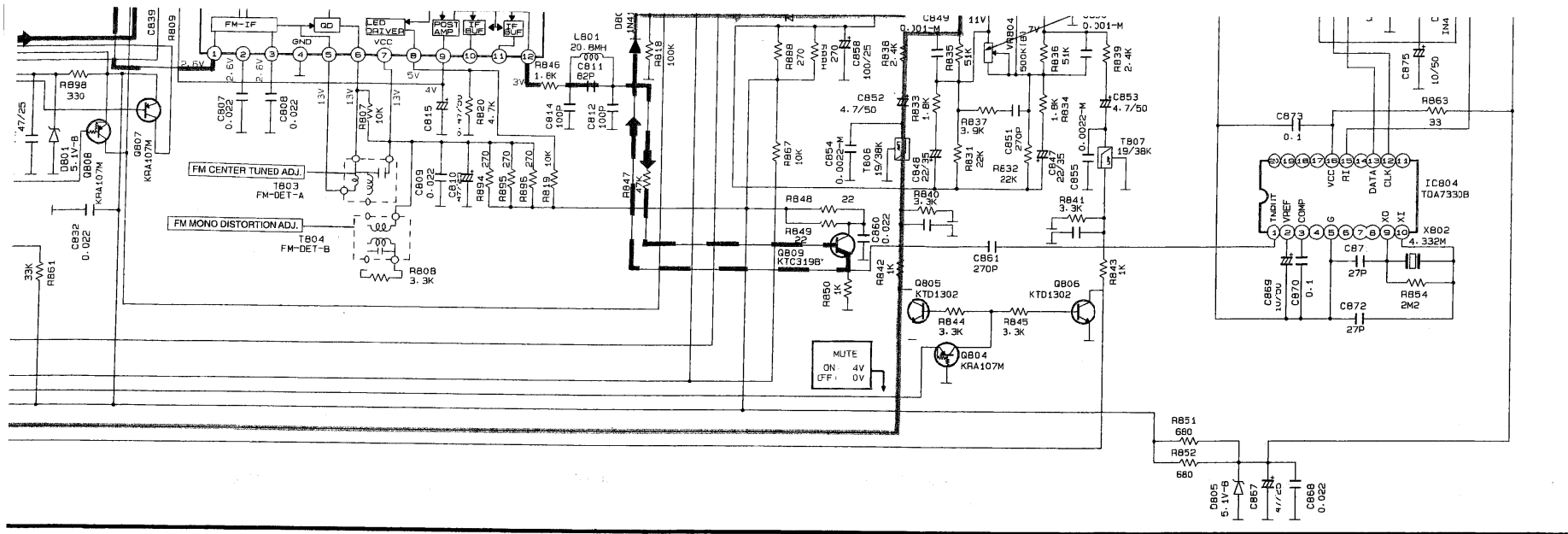


PIN CONNECTION DIAGRAM OF TRANSISTORS, IC'S AND DIODES.

<p>2SA1265N 2SC3182N KTE688 KT718</p>	<p>2SC437 KSC2890A KSA120A</p>	<p>DTA114YS DTC114YS DTC114TS</p>	<p>SLR-40MG3</p>	<p>ZENER 1N5402 1N4002 1N4148</p>	<p>2SK168</p>	<p>KTD1302 KTC2240/KTC3200 KTC3198/KTC1815 KTA1268/KT1015Y KTA1268/KTA790BL KTC1923Y/KTC3194</p>	<p>MPSA567 MPSA067</p>	<p>KV1236Z</p>	<p>PBL03</p>	<p>2SC486 2SA250</p>
---	--	---	------------------	---	---------------	--	----------------------------	----------------	--------------	--------------------------

PIN CONNECTION DIAGRAM OF IC'S.

<p>TA7291S KIA4559S/KIA75559S</p>	<p>LC7821</p>	<p>NJM2177AFB3</p>	<p>KIA4559P/KIA7555P</p>	<p>KIA7806PI</p>	<p>LA1286 NJU701</p>	<p>FA12016 LM7001 TC9299</p>	<p>LCI966 GD4066B</p>	<p>TDA7398B</p>	<p>LC7370</p>
---------------------------------------	---------------	--------------------	--------------------------	------------------	--------------------------	--------------------------------------	---------------------------	-----------------	---------------



3	ZENER 1N5402 1N4002 1N4148	25K168	KTD1302 KTC2240/KTC3200 KTC3198/KTC:815 KTA1268/KTA115Y KTA1268/KTA:90BL KTC1923Y/KTC3194	MPSA56Y MPSA06Y	KV1236Z	PBL303	2SC4883A 2SA2509Y/KTD2059Y	KTC2229/KTC3206 KTA949/KTA1024	SLR54MDW3

IP/KIA7555P	KIA7806PI	LA1266 NJU9701	HA12016 LM7001 TC9299	LC4966 GD4066B	TD7339B	LC7370